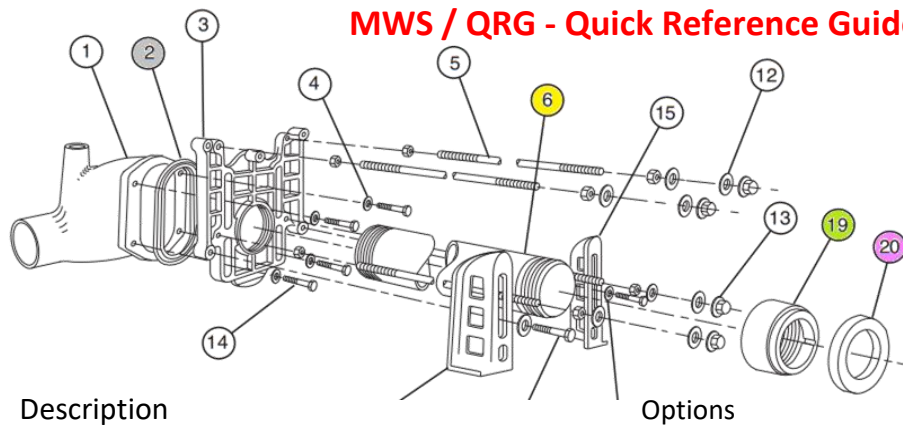


Jay R Smith Carrier Parts
210 Series Carriers
(Original Style)

No -O-Ring



MWS / QRG - Quick Reference Guide



Part #	Description	Options
#2 0100FP	Face Plate Gasket	
#6 0100N08P	8" PVC Nipple only	3 1/4" to 20" long
#6 0100N08	8" Cast Iron Nipple only	4 1/4" to 18" long
#19 100C-P	ABS Coupling only	
#19 100C	Cast Iron Coupling	
70753-65-6	Coupling Sealant	
#6,5,19 0100N08KP	8" PVC Nipple/Studs & Coupling Kit	
#6,5,19 0100N08K	8" C.I. Nipple/Studs & Coupling Kit	
#20 0100Gasket-NEOP	Outlet Gasket Only (Neoprene)	



#20 KIT F-1N

Finish Kit, Includes: Neoprene gasket, washers, sealant & chrome cap nuts



211-M54-M58 Series Carriers
(2000 & Newer)
M58 O-Ring Style
M54 Side Legs

10" molded nipple



010010P-M58	10" ABS Nipple with molded horn
010012P-M58	12" PVC Nipple without molded horn
77120-94-6	<i>Call for additional sizes</i>
Kit 0100N10KP-M58	"O" Ring ONLY for faceplate 10" ABS Nipple with O Ring & Studs
Kit 0100N12KP-M58	12" ABS Nipple with O Ring & Studs
0100Gasket-NEOP	Outlet Gasket Only (Neoprene)
F-1N	Finish Kit, Includes: Neoprene gasket, washers, sealant & chrome cap nuts



Type 2 Nipples

0100N03KP-2	3 1/4" ABS Nipple & Coupling Type 2
? 0100N03K-2	3 1/4" Cast Iron Nipple & Coupling <i>3 1/4 up to 18" available</i>
? 0100T2CA	Type #2 Outlet Coupling ONLY
0100C-2M	Type #2M Combo 3" long CI nipple & flange <i>3 1/4 up to 18" available</i>

